

Cephos Relay Modules

C-MT4 datasheet

May 2018



Tyco/Axicom MT4 and Siemens V23104 relay alternative

The Tyco/Axicom MT4 Series and Siemens V23104 relays have been obsolete for many years.

With a four pole double throw configuration, these versions were designed for high density, low profile PC card mounting.

Typical applications included data processing, communications and control systems.

The Cephos alternative can replace these light duty versions from these original manufacturers. These versions have a contact rating of 2A.

Cephos will normally carry stock of 5V, 12V and 24V coil voltages. The 48V version is made to order.

The C-MT4 replacement relay module consists of two IM series relays on a 0.8mm FR4 pcb with pinning to match the original Tyco MT4 and Siemens V23104, together with a miniature slide switch to select the polarity of the IM series relays as the original MT4 type relays were not polarised.

The Cephos C-MT4/1 (5V) will be a suitable alternative to these obsolete original relays:

Tyco MT4 – C93801

Siemens V23104-A1001

The Cephos C-MT4/3 (12V) will be a suitable alternative to these obsolete original relays:

Tyco MT4 – C93802

Siemens V23104-A1003

The Cephos C-MT4/5 (24V) will be a suitable alternative for these obsolete original relays:

Tyco MT4 – C93803

Siemens V23104-A1005

The special order C-MT4-48V version will be a suitable alternative for these obsolete original relays:

Tyco MT4 – C93804

Siemens V23104-A1007

General electrical specifications of the Cephos C-MT4 relay module.

Contacts: 4 form C (4PDT)

Maximum switching voltage: 220V dc / 250Vac

Switching power: 60W / 62.5VA

Contact Material: PdRu + Au covered bifurcated contacts

Min. switching voltage: 100µV

Initial contact resistance: <50mΩ at 10mA/30mV

Operate time: Typ. 1mS Max: 3mS

Release time: Typ. 1mS Max: 3mS

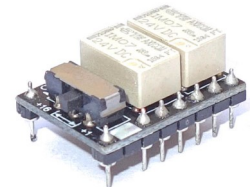
Bounce time: Typ. 1mS Max: 5mS

Mechanical Contact endurance: 10⁸ operations

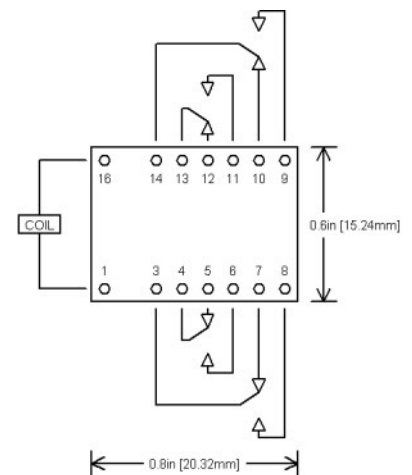
Electrical Contact endurance:
<30mV / <10mA: Min 2.5 x 10⁵ ops.
30V / 1 A / 30W: Min 2.5 x 10⁵ ops.
30V / 2A / 60W: Min 1 x 10⁵ ops.

Total Module Coil Power:

Coil Voltage: 5 V/ 12V Typ. 280mW
Coil Voltage: 24V/48V Typ. 400mW



Cephos C-MT4 relay module



The original Tyco/Axicom MT4 and Siemens V23104 relay dimensions were 20 x 14.8mm.

The Cephos C-MT4 module dimensions are 20.32 x 15.24mm to accommodate the pcb pinning.

Cephos Datasheets and Publications

The latest information on the Cephos relay module family will be published periodically with status updates and current relay news.

With manufacturers ceasing production of relays on a regular basis we strive to keep up-to-date on the availability of existing stock carried by wholesalers after manufacturing has ceased and try to establish viability of design and manufacture of a replacement relay module before that existing stock has reached critical levels.

If you find you have a need of an alternative for a hard to find signal relay, please use our contact form at

<https://cephosrelays.com> to enquire if Cephos has an alternative in the pipe-line. Cephos will be pleased to assist where possible.

MODULE DESIGN SERVICE

Our module design and assembly service is available for your own bespoke module requirements. Using our design and manufacture expertise we regularly undertake the design of custom modules according to our customer's criteria.

All enquiries treated in strictest confidence, do not hesitate to contact us for a project evaluation and quotation.

CONTACT DETAILS

Cephos Electronic Circuits Ltd.

Tel: +44 1322 668724

Email: admin@cephosrelays.com

Address:

Meridian House
Park Road
Swanley
Kent BR8 8AH
United Kingdom

Open Mon-Fri. 09.00 to 17.00

Callers by appointment only.

The Tyco / Axicom IM relay

- The Tyco / Axicom IM relay used in the Cephos relay modules is a fourth generation slim-line / low profile relay with bifurcated contacts
- The IM relay is tested according CECC/IECQ and certified in accordance with IEC/EN 60950 and UL 60950
- Typical applications include: Telecommunication, access and transmission equipment, optical network terminals, modems, office and business equipment, consumer electronics, measurement and test equipment, industrial control, medical equipment, automotive applications, HVAC etc.