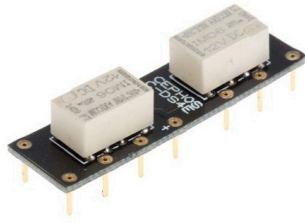




# C-DS4E relay module



An alternative solution for:

- \* Panasonic DS4E
- \* Omron G6A-434
- \* Fujitsu RA4
- \* IMO-EN4-CW



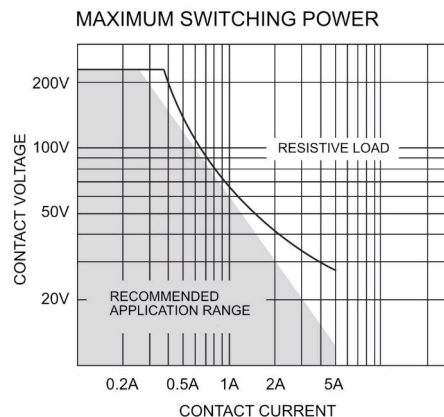
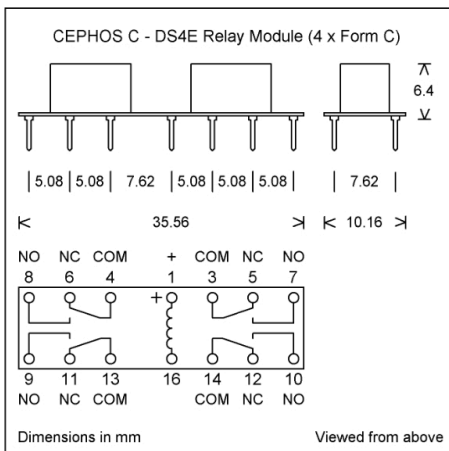
Contact Data	
Contact arrangement	2 pole C/O
Contact resistance	<50mΩ max at 10mA / 20mVdc
Contact material	PdRu + Au covered
Contact rating	2A
Max. switching current	2A
Max. Switching voltage	250Vac / 220Vdc
Max. Switching power	62.5VA / 60W
Min. Switching voltage	100μV
Mechanical endurance	typ. 10 <sup>8</sup> ops
Electrical endurance (Resistive load)	125Vdc at 0.24A: min 5 x 10 <sup>5</sup> ops 30Vdc at 1A: min 5 x 10 <sup>5</sup> ops 250Vac at 0.25A: min 1 x 10 <sup>5</sup> ops 30Vdc at 2A: min 1 x 10 <sup>5</sup> ops

Coil Data (5V)	
Pick-up voltage Vdc max.	3.75V
Drop-out voltage Vdc min.	0.5V
Coil resistance Ω	89Ω
Nominal power mW	280mW
Max voltage Vdc	12.1V

Coil Data (12V)	
Pick-up voltage Vdc max.	9V
Drop-out voltage Vdc min.	1.2V
Coil resistance Ω	515Ω
Nominal power mW	280mW
Max voltage Vdc	28.9V

Characteristics	
Operate time	Typ. 1ms / 3ms max.
Release time	Typ. 1ms / 3ms max.
Ambient temperature	-40°C to 85°C
Degree of protection	Immersion cleanable IP67
Unit weight	1.24g

Coil Data (24V)	
Pick-up voltage Vdc max.	18V
Drop-out voltage Vdc min.	2.4V
Coil resistance Ω	1440Ω
Nominal power mW	400mW
Max voltage Vdc	48.5V



The fitted Axicom IM relay meets Telcordia GR 1089, FCC Part 68 and ITU-T K20, 21, 45

UL 508 File No. E 111441

Material compliance: EU RoHS/ELV, China RoHS, REACH

UL contact rating:

30Vdc	2.0A / 60W
125Vdc	0.24A / 30W
220Vdc	0.24A / 60W
125Vac	0.5A / 62.5W
250Vac	0.25A / 62.5W

## Cephos Relays Ltd.

57 Devon Road  
South Darent  
DARTFORD  
Kent UK DA4 9AA

January 2025

Telephone: +44 (0)7540 777054  
Technical Enquiries +44 (0)1354 638831  
Email: sales@cephosrelays.com  
<https://cephosrelays.com>